

Victoria[®]

MUSHROOMS



VICTORIA Marinated Mushrooms, (marinated in an olive oil and vinegar marinade), Pickled Mushrooms (marinated in vinegar), and Sliced Marinated Mushrooms are delicious as appetizers, in salads and dips, and can be used as an ingredient in a wide variety of dishes including soups, sauces, stuffings, stews, omelets, and are particularly great with onions and rice.

VICTORIA Mushroom Salad, is a delicious blend of mushrooms, cauliflower, carrots, peppers, celery, and olives.

Victoria®

MARINATED MUSHROOMS

Packed in 1 gallon glass jars (Club Pack)

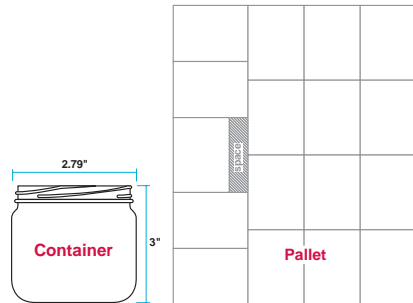
These Marinated Mushrooms are delicious as appetizers, in salads and dips, can be used in a wide variety of dishes including soups, sauces, stuffings, stews, omelets, and are particularly great with onions and rice.



PALLET & CONTAINER CONFIGURATIONS 7.5 oz. Mushroom Salad

**17 Block - 12 High
204 cases per pallet**

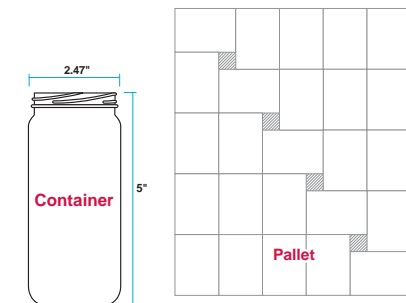
CASE DIMENSIONS		PALLET DIMENSIONS	
Case Length:	12.17"	Pallet Length:	48.5"
Case Width:	9.13"	Pallet Width:	40"
Case Height:	3.67"	Pallet Height:	43"
Case Cube:	.24'	Pallet Cube:	48.28'
Case Weight:	11 lbs.	Wooden Pallet:	40" x 48"



PALLET & CONTAINER CONFIGURATIONS 8 oz. Marinated Mushrooms & Pickled Mushrooms

**25 Block - 8 High
200 cases per pallet**

CASE DIMENSIONS		PALLET DIMENSIONS	
Case Length:	9.81"	Pallet Length:	47.5"
Case Width:	7.06"	Pallet Width:	39.5"
Case Height:	5.81"	Pallet Height:	44.81"
Case Cube:	.23'	Pallet Cube:	48.7'
Case Weight:	10 lbs.	Wooden Pallet:	40" x 48"



PALLET & CONTAINER CONFIGURATIONS 128 oz. Marinated Mushrooms

**12 Block - 4 High
48 cases per pallet**

CASE DIMENSIONS		PALLET DIMENSIONS	
Case Length:	13.25"	Pallet Length:	52"
Case Width:	12.88"	Pallet Width:	39"
Case Height:	10.6"	Pallet Height:	42"
Case Cube:	1.04'	Pallet Cube:	49.3'
Case Weight:	48 lbs.	Wooden Pallet:	40" x 48"

